



pack'solutions
customized



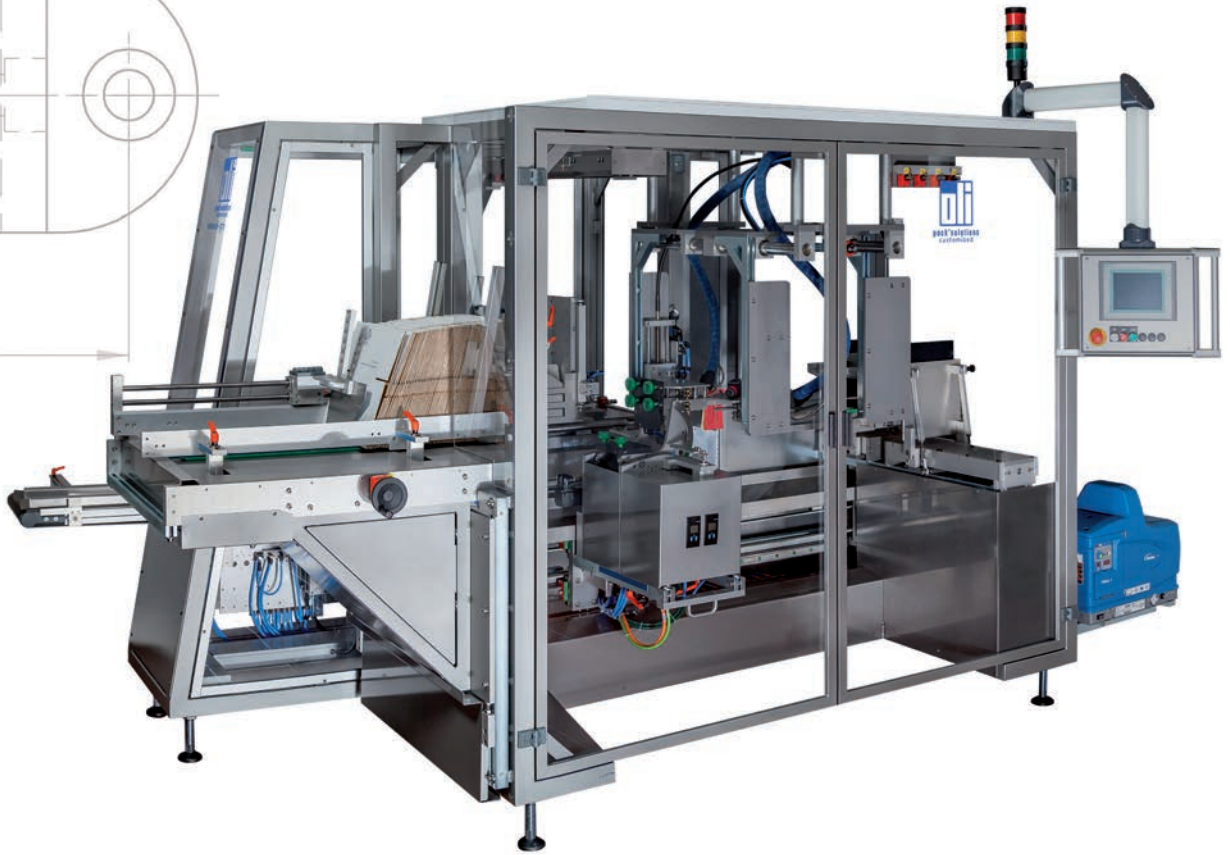
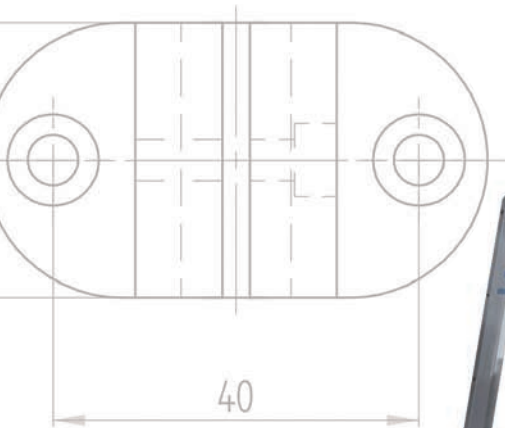
Pharma | Cosmetics



Food



Non-Food



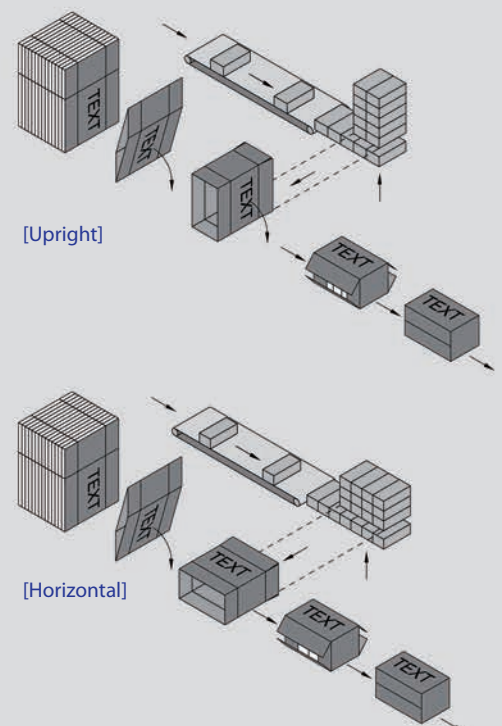
Fully-automatic final packaging line

Operating principle oli 310 with olimat 3D

oli 310 with olimat 3D - Side Loading

NEW - innovative, flexible case erector. Fills American style cases upright or even horizontally.

- » Supplies and sorts products fully automatically
- » Suitable for all conventional types of cases or products, especially for stackable products like folding boxes, bundles, cans, bottles, etc.
- » Perfect for pharmaceutical industry requirements. Open and space-efficient design ideal also for the food industry and other sectors.
- » Especially flexible and accessible. Can be integrated into any packaging line.
- » Gentle on products, offering the highest process safety.





» Case removal from magazine » Case erection » Case filling in upright and horizontal position » Case tilted 90° » Case transfer to sealing unit » Gluing and pressing (Opt: self-adhesive band)

Fully-automatic final packaging machine oli 310 with olimat 3D - Side Loading

This installation consists of the following modules:

- » **Cartoning machine oli 310**
- » **Case erector / sealer olimat 3D**

The **oli-pal** or **oli-pal Duplex palletisers** extend the installation to operate as a fully-automatic final packaging line.

General information:

Can be applied in all industries. Pharmaceutical compliant, balcony-style design (ideal also for the cosmetic and food industries). Space-efficient design. Superior workmanship/material quality and refined operationability in all details:

- » User-friendly design (highly visible, low loading height, perfectly accessible)
- » Positive case opening
- » Extensive format range, quick format change via central setting controls
- » Modern servo technology

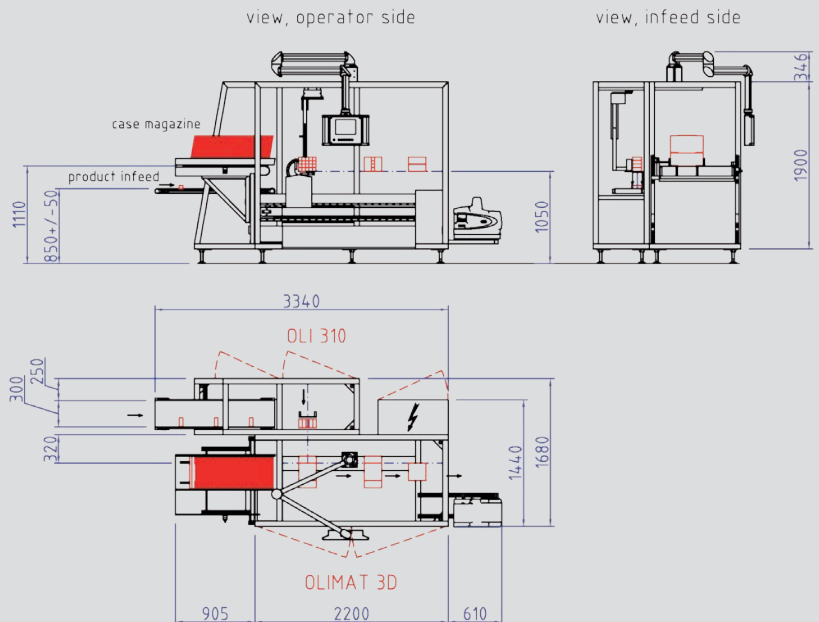
Technical information:

Output: approx. 6-8 cases/min
 Case format range (LxWxH mm): 150-400 x 120-300 x 130-390 or according to customer preference
 Operating voltage: 3 x 230/400 V/N/PE, 50/60 Hz, 6 kVA
 Air pressure: 6 bar
 Floor layout: left, right, U-shaped or as per customer requirements
 Change-over time: 5-20 min

Note:

The oli packaging machine can be customized in terms of output, colour, installed load, etc. All machines can be designed inversely for every format.

Layout oli 310 with olimat 3D



O. Lingenfelder
oli-Spezialanlagen GmbH

Blumenstraße 17-21
 82538 Geretsried
 GERMANY
 Telefon +49 8171 9673 0
 Telefax +49 8171 9673 10
 E-Mail buero@oli-gmbh.de
www.oli-gmbh.eu

