



pack'solutions
customized



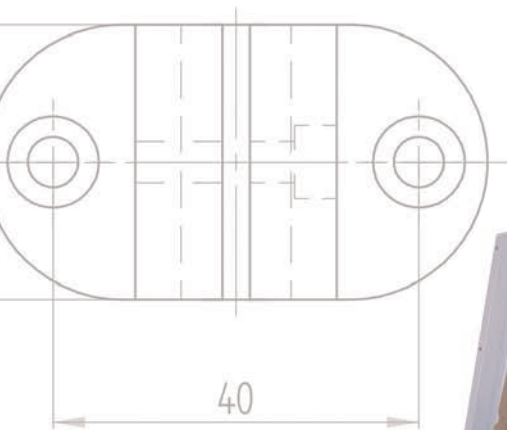
Pharma | Cosmetics



Food



Non-Food

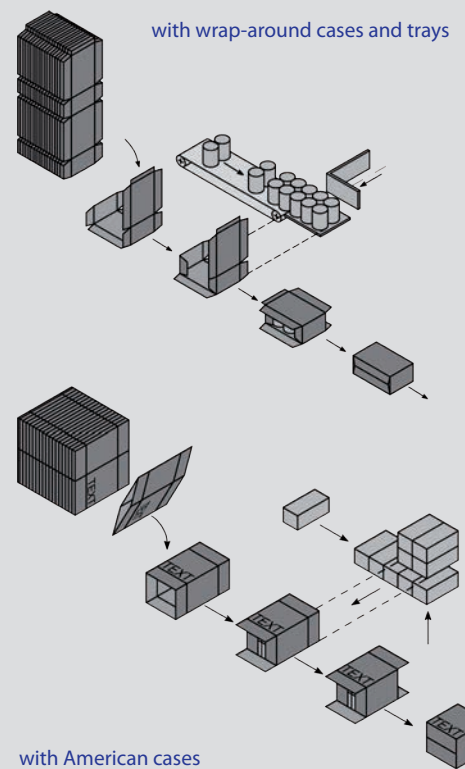


Fully automatic final packaging machinery

oli 210 with olimat 1 operating principle

oli 210 with olimat 1 - Side Loading

- » Product is supplied and sorted fully automatically
- » Suitable for all conventional types of cases or products, especially for stackable products like folding boxes, bundles, cans, bottles, etc.
- » Integrated case/tray erector and sealer
- » Modular design extendable with the oli-pal to operate as a fully automatic final packaging line
- » Processing is gentle on products offering highest process safety





» Product infeed

» Stacking of product

» Case erecting

» Filling of case

» Folding of flaps / sealing

Fully automatic final packaging machinery oli 210 with olimat 1 - Side Loading

This installation consists of the following modules:

- » **Product infeed and grouping module oli 210**
- » **olimat 1 case erector/sealer**

The **oli-pal** or the **oli-pal Duplex compact palletiser** extend the installation to operate as a fully automatic final packaging line.

General information:

Can be applied in all industries. Pharmaceutical compliant, balcony-style design. Compact and space-efficient. Superior workmanship/material quality and refined operationability in all details:

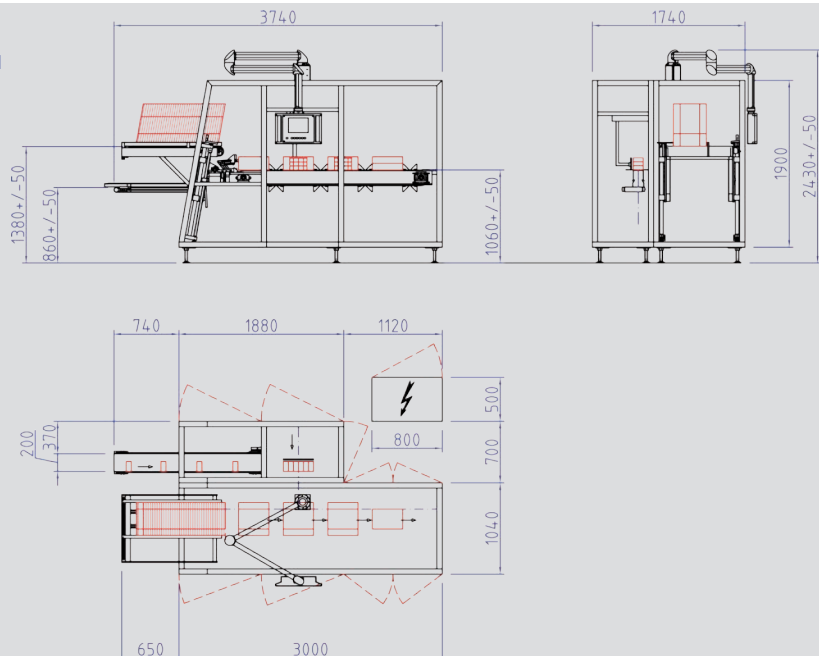
- » Virtually all adjustments suspended on top
- » Extremely high performance range
- » Highest degree of flexibility for processing cases
- » Positive case opening via suckers
- » Width of oli 210 reduced by 40%
- » Operator panel with multi-lingual text display or touchscreen panel
- » Extensive format range, format changed quickly
- » Servo motors drive all relevant motion

Technical information:

Output: up to 20 American cases or trays/min, up to 40/min with extra equipment
 Case/Tray format range (L x W x H mm): 100-500 x 60-340 x 100-400 or according to customer preference
 Operating voltage/required power: 3 x 230/400 V/N/PE, 50/60 Hz, 6 kVA
 Air pressure: 3 - 6 bar
 Floor layouts: Left or right-hand variants to customer preference
 Change over time: approx. 5 - 20 min

Note:
 oli packaging machinery is customized in terms of output, colour, installed load, etc., to suit the specific customer application. All machinery can be designed inversely for every format.

Layout oli 210 with olimat 1



O. Lingenfelder
oli-Spezialanlagen GmbH

Blumenstraße 17-21
 82538 Geretsried
 GERMANY
 Phone +49 8171 9673 0
 Fax +49 8171 9673 10
 E-Mail buero@oli-gmbh.de
www.oli-gmbh.eu

